

**PNEUMATIC CONTROL VALVES**

**PV926H**

**(V926H hygienic angle valve with linear actuator PA series)**

**DESCRIPTION**

The PV926H hygienic control valves are single seated, two-way body constructed with angle connections. The PA pneumatic actuator features a rubber diaphragm and multi-springs. Its action can be DA - direct action (air to close) or RA - reverse action (air to open). The PV926H valves have been designed to ensure an accurate control in any process condition. Their self draining design is ideally suited for clean steam service applications.

**MAIN FEATURES**

- Completely made from solid bar stock material.
- Single seated, two way, direct or reverse action valve.
- Valve bonnet permanently attached to the body, removal is unnecessary for replacing the actuator.
- Metal to metal or soft sealing.
- Self draining design.

**STANDARD SURFACE FINISH**

- Internal wetted parts: ≤ 0,51 micron Ra – SF1.
- External: ≤ 0,76 micron Ra – SF3.
- Other surface conditions see IS PV20.00 E - Technical information.
- Ultrasonic cleaning.
- Actuator (stainless steel): Satin bead blast finish 1,6 micron Ra.
- Actuator (steel): Electrostatic painted.

- OPTIONS:**
- Soft sealing.
  - Steam barrier.
  - Inline connections.
  - Positioners and position transmitters.
  - Air filter regulator.
  - Bolted bonnet.

- USE:**
- Saturated steam, hot and superheated water.
  - Process fluids, liquids, air and gases compatible with the construction.

- AVAILABLE MODELS:** PV926H.  
**SIZES:** 1/2" to 4".

- CONNECTIONS:** Clamp ferrules or tube weld ends.  
Others on request.

- VALVE PORT:** Full port as standard.  
Reduced or micro flow on request.

- PLUG TYPES:** Equal percentage (EQP).  
Linear (PL).

- PACKAGING:** Assembling and packaging in a clean room certified according to ISO 14644-1.  
The product is end capped and sealed with recyclable thermo-shrinkable plastic film, to avoid contamination.

**HOW TO SELECT:** Never size the valve according to the pipe diameter in which it has to be fitted, but according to the required actual flow of fluid. Refer to valve calculation table or consult factory.



Clamp version



Tube weld version

- PNEUMATIC ACTUATORS:** PA205, PA280, PA340, PA435.
- ACTUATOR CONNECTIONS:** 1/4" NPT-F.
- CONTROL SIGNAL:** 0,4–1,2 bar; 0,4–2 bar.
- ELECTRIC ACT:** Consult IS EL 20.00 E.
- MAX. AIR SUPPLY:** 3,5 bar.
- AMBIENT TEMPERATURE:** - 20 °C to +70 °C.

LIMITING CONDITIONS	
<b>Valve model</b>	<b>V926H</b>
Body design conditions	PN16
Maximum operating pressure	13 bar @ 38°C
Maximum operating steam pressure	6 bar
Max. operating temp. (steam and water)	170 °C
Maximum operating temperature (air)	150 °C
Minimum operating temperature	- 10 °C

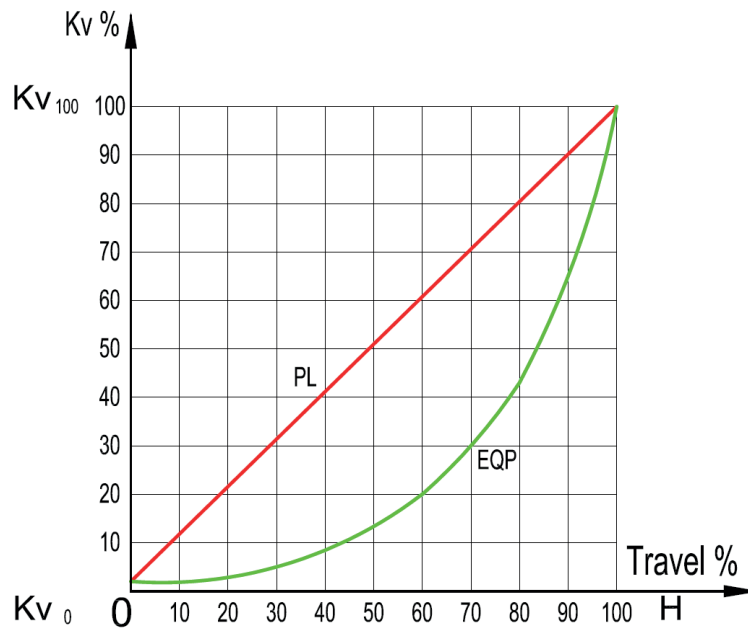
Higher and lower limits on request.

CE MARKING – GROUP 2 (PED – European Directive)	
<b>PN16</b>	<b>Category</b>
1/2" to 2"	SEP
2 1/2" to 4"	1 (CE marked)

FLOW RATE COEFFICIENTS (Kvs)

SEAT Ø (mm)	VALVE STROKE (mm)	SIZES								
		1/2"	3/4"	1"	1 1/4"	1 1/2"	2"	2 1/2"	3"	4"
4 *	15	0,1	–	–	–	–	–	–	–	–
4 *		0,25	–	–	–	–	–	–	–	–
4 *		0,5	–	–	–	–	–	–	–	–
8 *		1	–	–	–	–	–	–	–	–
8 *		1,5	–	–	–	–	–	–	–	–
8 *		<b>2</b>	2	–	–	–	–	–	–	–
12		–	2,3	2,8	–	–	–	–	–	–
12		–	2,9	3,7	–	–	–	–	–	–
15		–	<b>4,2</b>	<b>5,2</b>	–	7,8	–	–	–	–
19		–	–	<b>7</b>	–	9,8	–	–	–	–
25	20	–	–	–	–	14,7	21,1	–	–	–
32		–	–	–	–	<b>17,8</b>	25,4	31	–	–
38		–	–	–	–	–	27,7	34,6	40,8	–
47		–	–	–	–	–	–	<b>34,7</b>	41	49,2
50		–	–	–	–	–	–	–	<b>49</b>	61
65	30	–	–	–	–	–	–	–	<b>63,4</b>	91
76		–	–	–	–	–	–	–	–	112,1
96		–	–	–	–	–	–	–	–	<b>136,7</b>

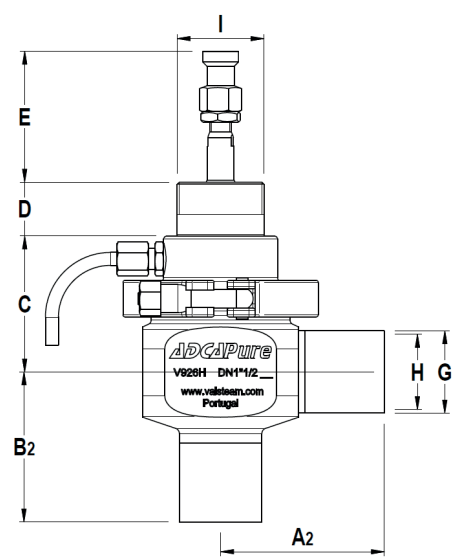
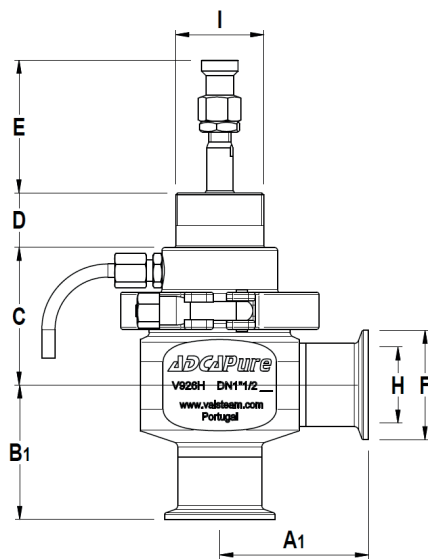
\* Microflow available only with contoured linear characteristic.  
 For conversion  $Kvs = Cv (US) \times 0,855$ .



**DIMENSIONS (mm) ASME BPE**

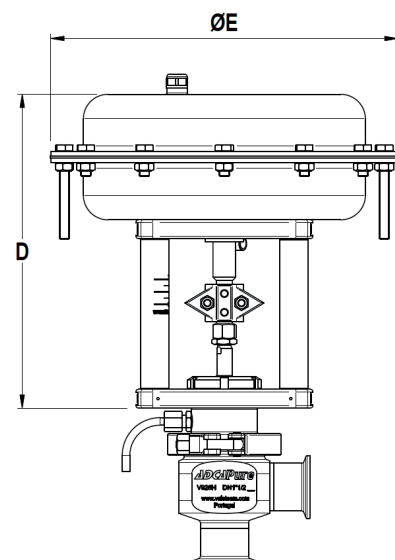
SIZE	A1	A2	B1	B2	C	D	E	F	G	H	I	WEIGHT (kg)
1/2"	52	54	41	41	51	25	45	25	12,7	9,4	M40x1,5	1,3
3/4"	52	56	45	51	53	25	45	25	19,05	15,75	M40x1,5	1,4
1"	54	59	49	57	58	25	45	50,5	25,4	22,1	M40x1,5	1,6
1 1/2"	68	76	62	70	63	25	45	50,5	38,1	34,8	M40x1,5	2,8
2"	68	78	65	78	68	25	45	64	50,8	47,5	M40x1,5	3,1
2 1/2"	72	92	78	98	75	25	45	77,5	63,5	60,2	M40x1,5	4
3"	92	115	86	109	95	25	45	91	76,2	72,9	M45x1,5	8,4
4"	92	119	99	125	107	25	45	119	101,6	97,38	M45x1,5	10,9

Face to face dimensions are not standardized. Different dimensions available on request.



**PNEUMATIC ACTUATOR DIMENSIONS (mm)**

TYPE	D	E	WEIGHT (kg)
PA205	235	210	5,7
PA280	240	275	8,8
PA340	265	335	14,3
PA435	295	430	24,5



**MATERIALS**

POS. N°	DESIGNATION	MATERIAL
1	Valve body	AISI 316L / 1.4404
2	Bonnet	AISI 316L / 1.4404
3	* Valve plug	AISI 316L / 1.4404
4	Plug disc	AISI 316L / 1.4404
5	* Stem	AISI 316L / 1.4404
6	Valve plug seal	High performance EPDM
7	O-ring	High performance EPDM
8	Centering ring	AISI 316L / 1.4404
9	* O-ring	High performance EPDM
10	* Shaft seal	High performance EPDM
11	* Guide bushing	TFM 1600
12	* O-ring	EPDM
13	* Scraper ring	Viton
14	Clamp	AISI 316 / 1.4401
15	Leak-off connection	AISI 304 / 1.4301
15A	Nipple	AISI 316L / 1.4404
16	Discharge pipe	AISI 316 / 1.4401
17	Nut adapter	AISI 316 / 1.4401
18	Lock nut	Stainless Steel A2 – 70
19	Spring	AISI 302 / 1.4300
20	* Packing (chevron rings)	PTFE
21	* O-ring	High performance EPDM
22	* Washer	AISI 304 / 1.4301
23	Gland nut	AISI 316L / 1.4404
50	Yoke (steel)	C45E / 1.1191
	Yoke (stainless steel)	AISI 304 / 1.4301
51	Actuator (steel)	S235JRG2 / 1.0038
	Actuator (stainless steel)	AISI 304 / 1.4301
52	* Diaphragm	NBR 70
53	Lock nut	CF8 / 1.4308
54	Coupling (travel indicator)	CF8 / 1.4308

\* Available spare parts.

Remarks: FDA / USP Class VI seals certificate on request.

All valves have a serial number. In case of non-standard valves, this number must be supplied if spare parts are ordered.

